

SPECIFICATIONS:

POWER RATING: 25 WATTS CW

- WHEN MOUNTED TO A HEAT SINK  
CAPABLE OF MAINTAINING A CASE  
TEMPERATURE AT OR BELOW 100°C.

FREQUENCY RANGE: DC TO 3 GHz

VSWR: DC TO 1 GHz AT 1.15:1 MAX.

1 GHz TO 3 GHz AT 1.25:1 MAX.

CONNECTOR: SMA MALE

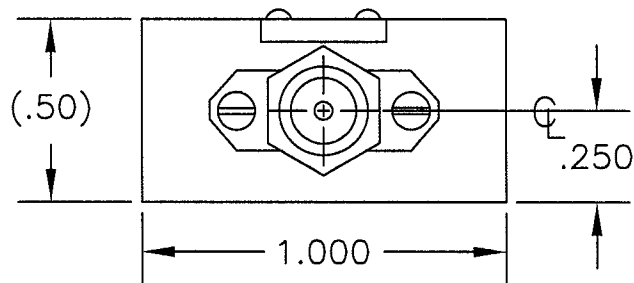
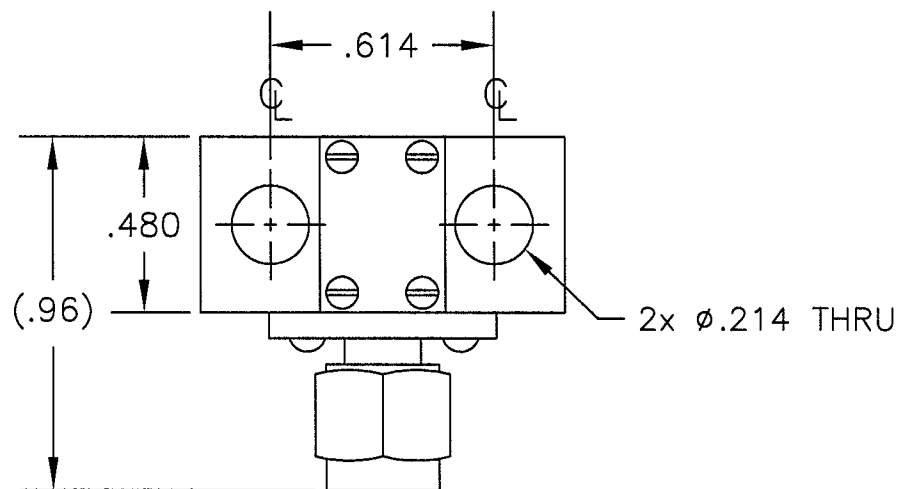
FINISH: BODY: SILVER OR TRI-ALLOY PLATED

CONNECTOR: GOLD PLATED

RESISTIVE ELEMENT:

BeO SUBSTRATE, SILVER THICK FILM

REVISIONS		DWG. NO.	25-CT-MA	SHEET 1	REV B
ZONE	REV	DESCRIPTION	DATE	APPROVED	
	A	CONVERT TO BEC FORMAT	DMR	4-21-03	MRV
	B	SHOW RESISTIVE ELEMENT MATERIAL/ECO 12247	DMR	8-4-04	<i>MBJ</i>



UNLESS OTHERWISE SPECIFIED  
DIMENSIONS ARE IN INCHES  
TOLERANCES ARE:

FRACTIONS DECIMALS ANGLES  
± 1/64 .XX=±.010 ± 30'  
.XXX=±.005

DO NOT SCALE DRAWING

MILLIMETERS

.X= ±.4  
.XX= ±.12

THIS DRAWING IS THE PROPERTY OF THE BIRD ELECTRONIC CORPORATION. THE DESIGNS AND SPECIFICATIONS DISCLOSED HEREON ARE PROPRIETARY AND SHALL NOT BE REPRODUCED, NOR COPIED, NOR USED AS THE BASIS FOR THE MANUFACTURE OR SALE OF APPARATUS OR DEVICES WITHOUT THEIR EXPRESS WRITTEN CONSENT.



**BIRD** Electronic Corporation  
Cleveland (Solon) Ohio USA

MATERIAL	APPROVALS	DATE	TITLE		
	DRAWN D.M.RINK	4-21-03	TERMINATION, CONDUCTION COOLED SMA MALE, 25W		
FINISH	CHECKED		SIZE	FSCM NO.	DWG. NO.
	APPROVED MARK V.	4-21-03	A	70998	25-CT-MA
	AUTOCAD		SCALE	1:1	COMM CODE LD1
			SHEET	1 OF 1	
			REV	B	